

MKS-GP36105(38.4V105Ah)

LEOCH Provides Safe and Efficient LFP Battery Solutions

LEOCH Series uses high-safety, long-life LFP batteries with a built-in intelligent BMS system; Compared with lead-acid batteries, lithium batteries have superior performance and a longer service life, weighing only 40% of lead-acid batteries, lasting more than five times longer than lead-acid batteries, and faster charging speed.

Features

- Safest Lithium Battery Technology
- Lighter Weight
- Eco-friendly
- Longer Life
- Multiple Safety Protection
- Intelligent Balancing Function

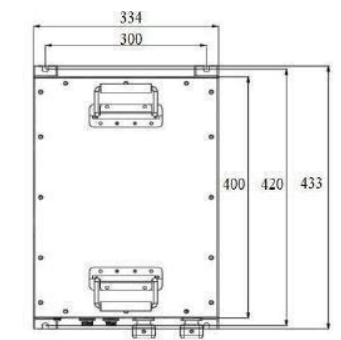
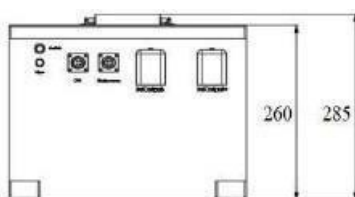


Performance

Cell	Prismatic LFP 105Ah	Capacity	105Ah @0.5C25°C
Rated Charge Current	50A	Nominal Voltage	38.4V
Rated Discharge Current	100A	Energy	4.032KWh
Terminal	M8	Weight	40kg
Max. Continuous Charge Current	100A	Dimensions	433X334X285mm
Max. Continuous Discharge Current	105A	Storage Temp	-10°C to 35°C
Pulse Current 1	200A(30s)	Discharge Temp	-20°C to 60°C
Pulse Current 2	375A(5s)	Charge Temp	0°C to 55°C
Rated Charge Cut-off Voltage	43.8V	Self Discharge	≤2%/Month
Rated Discharge Cut-off Voltage	33.6V	Cycle Life	5000times(80%DOD)
Certifications	UN38.3	IP Grade	IP65
Certifications model	MKS-GP36105		

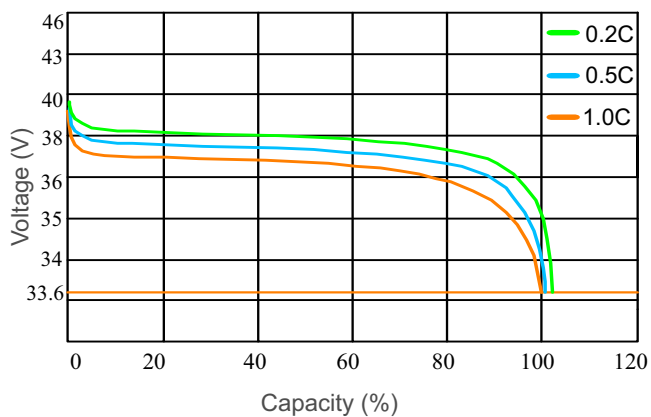
Size

Unit:mm

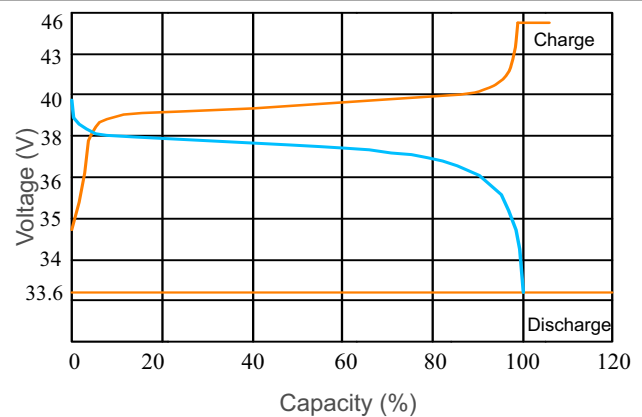


Characteristics Curve

Discharge Performance at 25°C



Charge and Discharge at 25°C, 0.5C



Cautions

1. Do NOT short circuit, crush or disassemble.
2. Do NOT heat or incinerate.
3. Do NOT immerse in any liquid.
4. Store at 50% capacity. Recharge every 6 months. The storage area should be clean, cool, dry and ventilated.
5. Disconnect charging source prior to connecting or disconnecting battery terminals.
6. Do NOT dispose of batteries in a fire as they can explode.
7. Do NOT open, alter, or mutilate batteries. Released electrolyte is harmful to skin and eyes. It may be toxic.
8. Do NOT mix different types and brands of lithium-ion batteries.
9. Do NOT dispose in trash, follow local regulations and manufacturer's instruction.
10. See installation instructions before connecting to the supply.
11. Do NOT install on or over combustible surfaces.
12. Refer to manual before servicing.
13. Do NOT touch bare terminals.