

LEOCH RU6-448V200-M(448V200Ah)

RU6-448V200-M



LEOCH Provides Safe and Efficient LFP Battery Solutions.

LEOCH RU series adopt high safety LFP cell, with intelligent BMS management system independently developed by LEOCH, safe and reliable, excellent performance, stability and reliability, suitable for three-phase UPS backup system.

Features

- Integrated design of reserves
- CTP design
- Cabinet occupies less volume
- Built-in gas sensor, early warning, faster intervention
- CAN/RS485 Communication output for monitoring
- Eco-friendly
- Safest lithium battery technology
- Meet UL, IEC and other authoritative international standard certifications

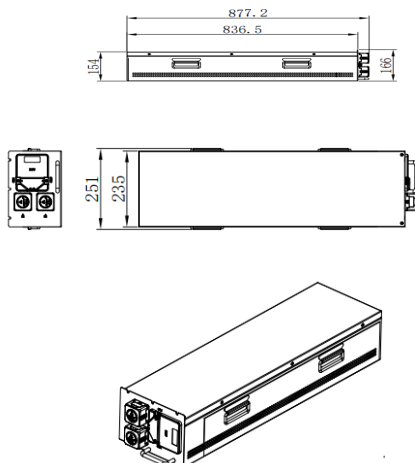
PACK Style



Performance data

| | | | | | | |
|--------------------|--------|-----|-----|--------|-------|----|
| Time(min) | 5 | 10 | 15 | 20 | 30 | 60 |
| Constant Power(kW) | 498.75 | 448 | 315 | 236.95 | 185.6 | 84 |

Size



System specifications

| | |
|--------------------|-------------------------------|
| Case Material | SPCC |
| Cell Type | Prismatic LiFePO ₄ |
| Terminal Type | M8 |
| Ingress Protection | IP20 |

Basic performance

| | |
|---------------------|-------------------|
| Nominal Voltage | 448V |
| Rated Capacity | 200Ah |
| Energy | 89.6kWh |
| Self-discharge Rate | ≤3%/Month@25°C |
| Cycle Life | 3000 times(1C/1C) |
| Size(W*D*H) | 600*1000*2200mm |
| Weight | Approx.1100kg |
| Design Life | 15 years |

Charge performance

| | |
|------------------------|----------|
| Rated Charge Current | 80A |
| Maximum Charge Current | 160A |
| Op. Charge Voltage | 392-483V |

Discharge performance

| | |
|-----------------------------------|-----------------|
| Max Output Power | 498.75 kW @5min |
| Standard Discharge Time | 448kW@10min |
| Rated Discharge Cut-off Voltage | 392V |
| Minimum Discharge Cut-off Voltage | 371V |

Temperature and humidity

| | |
|----------------------------|-----------|
| Discharge Temperature | -15-50°C |
| Charge Temperature | 5-45°C |
| Storage Temperature | -10-45°C |
| Transportation Temperature | -10-45°C |
| Operation Humidity | 5%~95%R.H |
| Altitude | ≤2000m |

Other

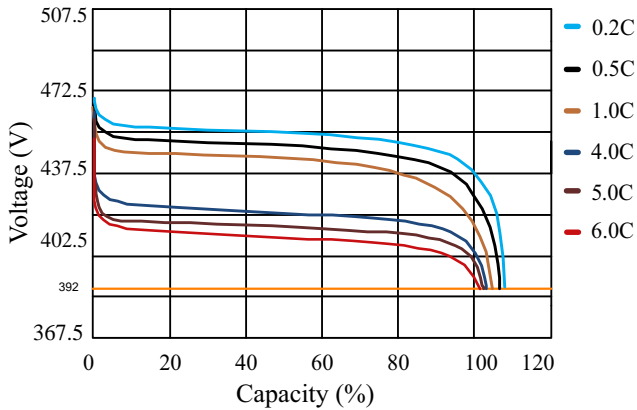
| | |
|-------------------------|-------------------------------|
| Communication Interface | CAN/RS485/ TCP/Dry Contact |
| Dry Contact | DI/DO |
| System Parallels | ≤15 |
| Screen | Required |
| Thermal Management | Natural Cooling |

Certification

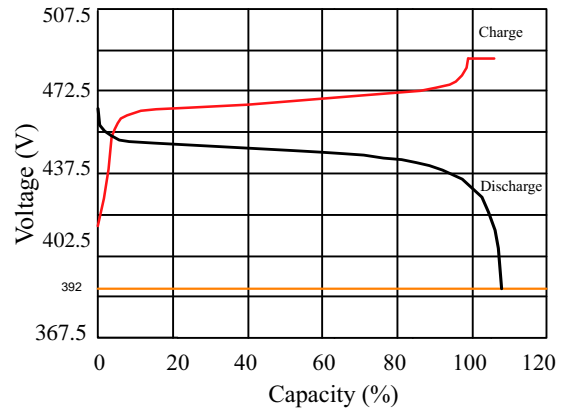
Module: RoHS, REACH, UN38.3, UL9540A-2019

Cabinet: UL9540A-2019, UL1973, CE-EMC, IEC62619

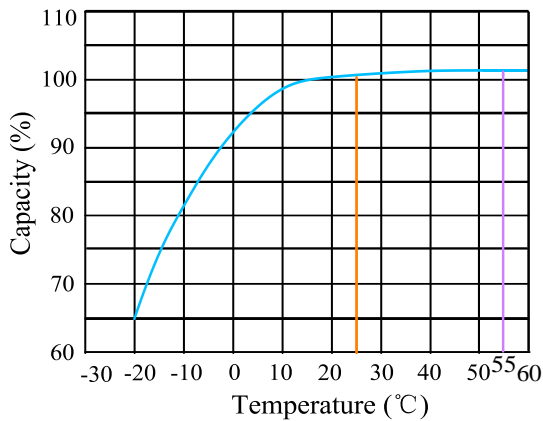
Discharge Performance at 25°C



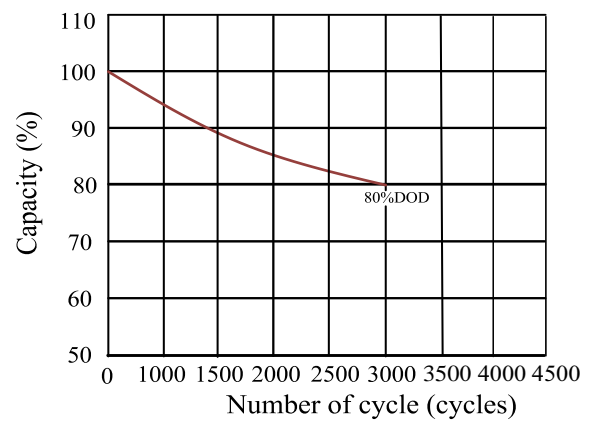
Charge and Discharge at 25°C, 0.5C



Temperature effects on capacity at 1C



Cycle life with DOD at 25°C, 1C/1C



Cautions

1. Do NOT short circuit, crush or disassemble
2. Do NOT heat or incinerate.
3. Do NOT immerse in any liquid.
4. Store at 50% capacity. Recharge every 6 months. The storage area should be clean, cool, dry and ventilated.
5. Disconnect charging source prior to connecting or disconnecting battery terminals.
6. Do NOT dispose of batteries in a fire as they can explode.
7. Do NOT open, alter, or mutilate batteries. Released electrolyte is harmful to skin and eyes. It may be toxic.
8. Do NOT mix different types and brands of lithium-ion batteries.
9. Do NOT dispose in trash, follow local regulations and manufacturer's instruction.
10. See installation instructions before connecting to the supply.
11. The battery cabinet receives power from more than one source. Disconnection of all DC sources is required to De-energize this unit before installing or servicing. Wait 5 minutes before opening the unit.
12. Do NOT install on or over combustible surfaces
13. Refer to manual before servicing
14. Do NOT touch bare terminals.



Rack RU6-448V200-M